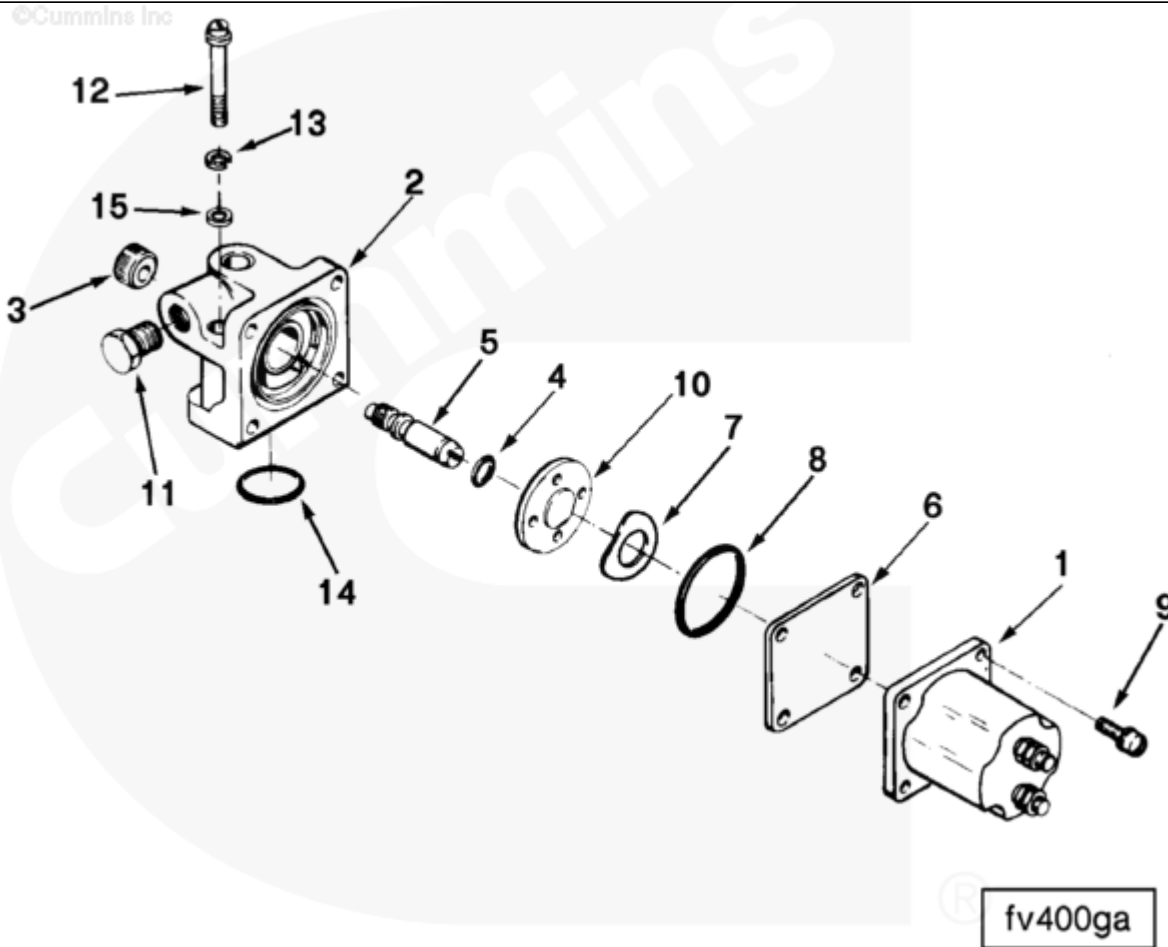




Parts Catalog - Option Detail

Electronic Parts Catalog - Option Detail				
Option	Group	Graphic	Film Card	Date
FV1015-01	05.06	fv400ga	FF	08-JAN-97
Engines	G855, G855 CM558, GTA855 CM558 (CM2358) G101, N14 CELECT, N14 CELECT PLUS, N14 MECHANICAL, NH/NT 855, QSM11 CM876 M101, QSM11 CM876 M102M, QSN14 CM876 N103, QSN14 CM876 N105, QSNT14 CM876 N102			



[SMALL](#) | [MEDIUM](#) | [LARGE](#)

Cart	Ref No	Part Number	Part Description	Required	Remarks
View My Cart					
		FV1015-01	Fuel Shut-Off Valve		
					24volt solenoid operated fuel
					shut-off valve. Twin
					terminal.

<input type="checkbox"/>		3053436	Fuel Shut-Off Valve	1	
<input type="checkbox"/>	1	3021420	Solenoid	1	
<input type="checkbox"/>		129886	Fuel Shut-Off Valve Body	1	
<input type="checkbox"/>	2	129826	Shut-Off Valve Body	1	
<input type="checkbox"/>	3	129838	Knob	1	
<input type="checkbox"/>	4	3279794	O-Ring Seal	1	
<input type="checkbox"/>	5	3000266	Shut-Off Valve Shaft	1	
<input type="checkbox"/>	6	129839	Shut-Off Valve Shield	1	
<input type="checkbox"/>	7	129768	Valve Spring	1	
<input type="checkbox"/>	8	129888	Rectangular Ring Seal	1	
<input type="checkbox"/>	9	187556	Fillister Head Cap Screw	4	
<input type="checkbox"/>	10	3030970	Valve Disc	1	
<input type="checkbox"/>	11	3025458	Pipe Plug	1	1/8 NPT.
<input type="checkbox"/>	12	S 189 C	Socket Head Cap Screw	2	1/4 - 20 X 1 3/4 Inch.
<input type="checkbox"/>	13	181466	Lock Washer	2	1/4 in.
<input type="checkbox"/>	14	154087	Rectangular Ring Seal	1	
<input type="checkbox"/>	15	67684	Plain Washer	2	1/4 Inch.